

GF Piping Systems

Corrosive Waste Piping System

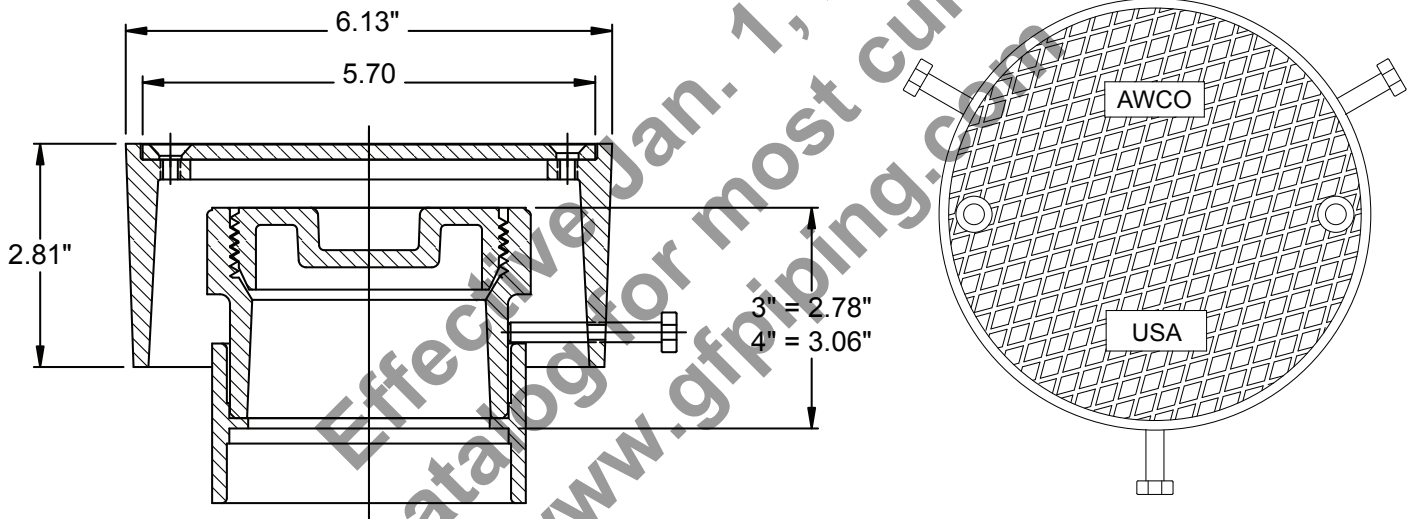
Specification Submittal Data Sheet

Fuseal 25/50™ PVDF Nickel Bronze Floor Cleanout

Floor Cleanout

Corrosion resistant finished floor cleanout is manufactured from polyvinylidene fluoride conforming to ASTM D3222 and will also have a flame spread of less than 25 and smoke developed index of less than 50 when tested in accordance to ASTM E84, UL723 and NFPA 255. The fitting will conform to UPC®, the City of Los Angeles and the Commonwealth of Massachusetts standards. The assembly includes a molded cleanout, countersunk plug, an adjustable access housing and removable cover. The housing has approximately 2" of adjustment. The access housing and cover are cast from 12% nickel bronze. AWCO (Acid Waste Cleanout) and USA are cast on the top cover.

- Nickel Bronze Housing and Cover
- 3" PVDF Sch.40 Molded with Nickel Bronze Housing and Cover
- 4" PVDF Sch.40 Molded with Nickel Bronze Housing and Cover



Job Name: _____

Job Location: _____

Engineer: _____

Contractor: _____

Representative: _____

UPC is a registered trademark of the International Association of Plumbing and Mechanical Officials

^ = 40% Restock Charge

* = Non-Cancelable/Non-Returnable

+GF+